

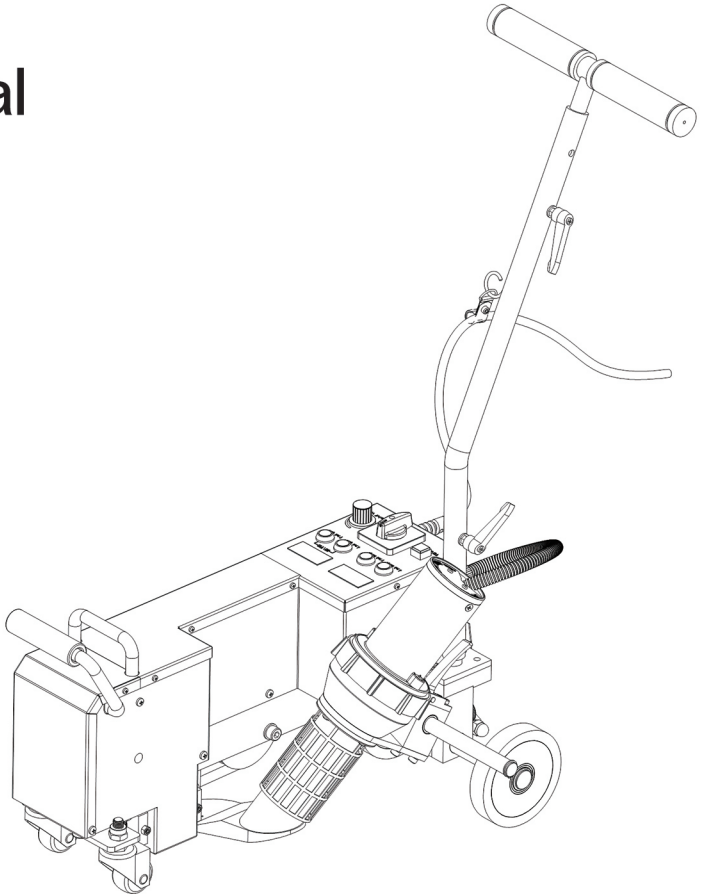


LESITE TECHNOLOGY

LST-WP4

Roofing Hot Air Welder

Manual





Please read this manual carefully before using this machine, and keep it for future reference

Application

The new generation roofing hot air welder LST-WP4 offers more application diversity with the welding of high quality thermoplastic waterproof membrane (PVC,TPO,EPDM, ECB,EVA, etc.) can be realized quickly in the gutter of the roof, near the edge of the gutter, near the parapet or in other narrow spaces.



Precautions



Please confirm that the machine is turned off and unplugged before disassembling the welding machine, so as not to be injured by live wires or components inside the machine.



The welding machine generates high temperature and high heat, which may cause fire or explosion when used incorrectly, especially when it is close to combustible materials or explosive gas.



Please do not touch the air duct and nozzle(during welding work or when the welding machine has not completely cooled down), and do not face the nozzle to avoid burns.



The power supply voltage must match the rated voltage (230V) marked on the welding machine and be reliably grounded. Connect the welding machine to a socket with a protective ground conductor.



In order to ensure the safety of the operators and the reliable operation of the equipment, the power supply at the construction site must be equipped with a regulated power supply and a leakage protector.




The welding machine must be operated under the correct control of the operator, otherwise it may cause combustion or explosion due to high temperature



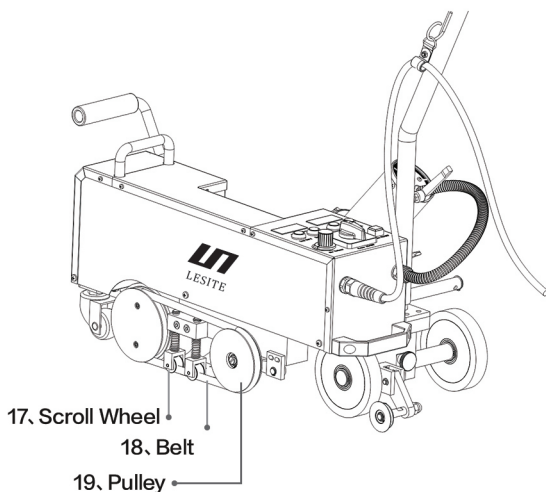
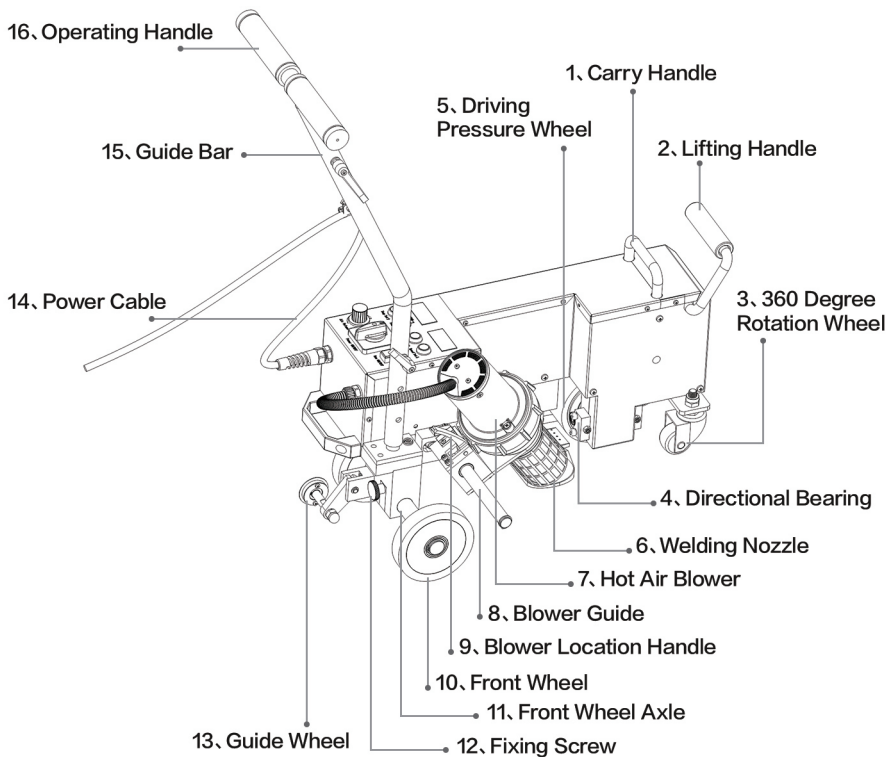
It is strictly forbidden to use the welding machine in water or muddy ground, avoid soaking, rain or damp

Parameter

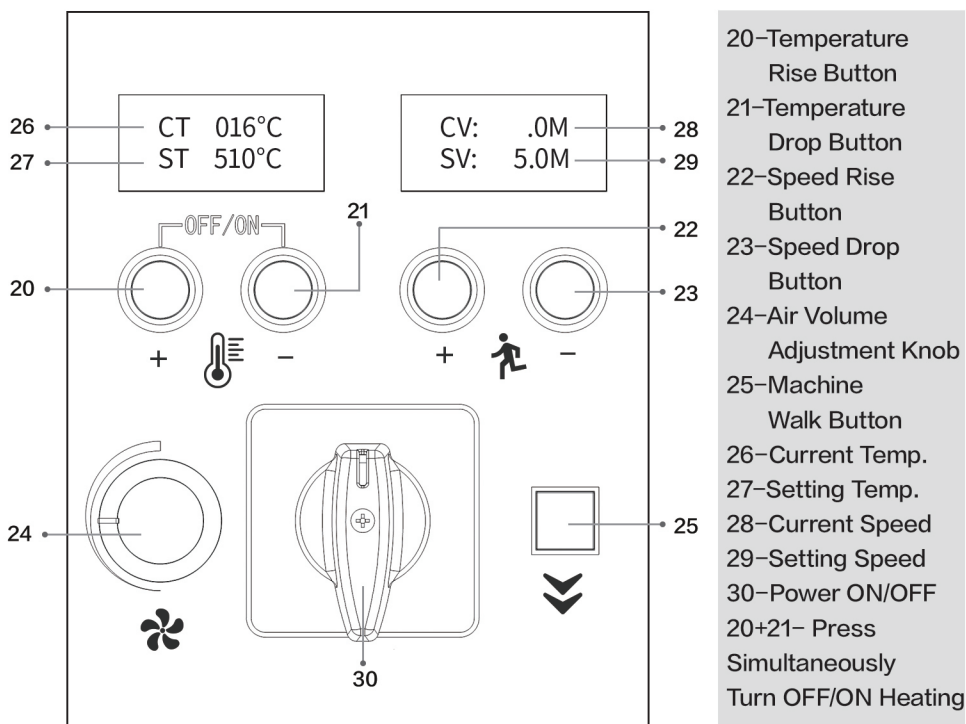
Model	LST-WP4
Voltage	230V
Power	4200W
Welding Temp	50~620 °C
Welding Speed	1~10m/min
Welding Seam	40mm
Machine Size	557×316×295mm
Net Weight	28 kg
Certificate	CE
Warranty	1 Year

Model	LST-WP4 
Voltage	230V
Power	4200W
Welding Temp	50~620 °C
Welding Speed	1~10m/min
Welding Seam	40mm
Machine Size	557×316×295mm
Net Weight	28 kg
Motor	Brush-less Air Blower
Air Volume	70~100% Infinitely Adjustable
Certificate	CE
Warranty	1 Year


Main Parts




Control Panel




1. Welding temperature:

Using bottoms +  - to set the required temperature. You can set the temperature according to the welding materials and the ambient temperature. LCD display screen will show the setting temperature and the current temperature.

2. Welding speed:

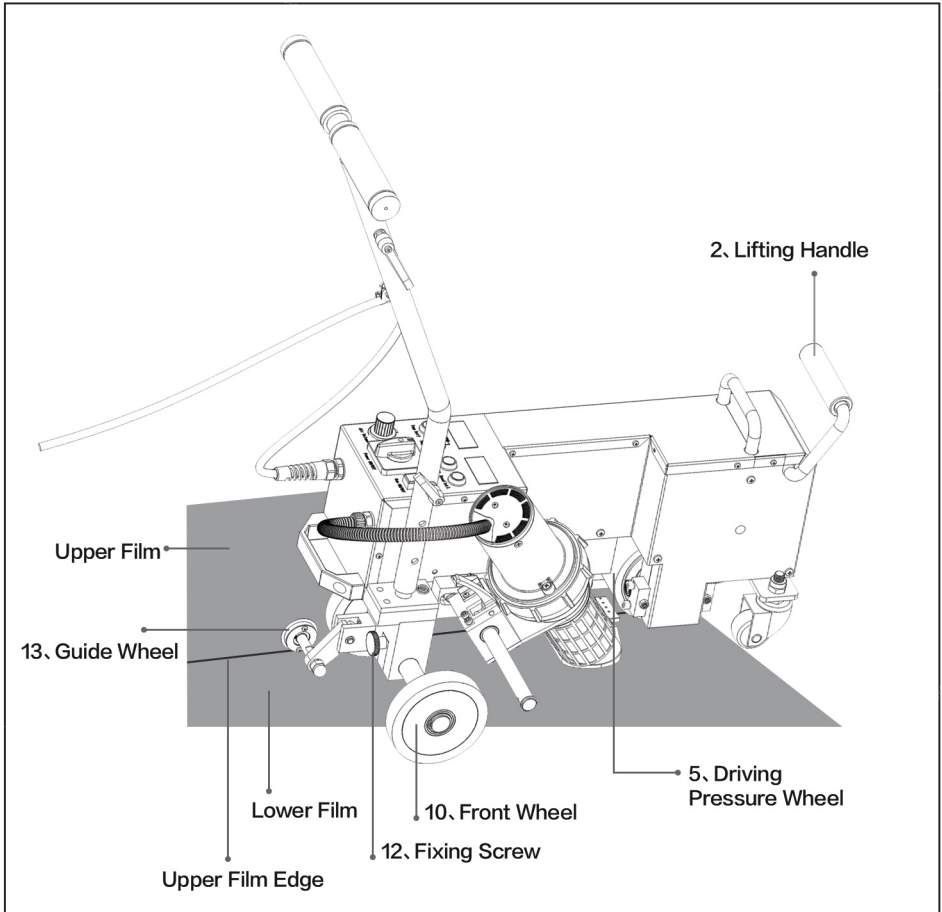
Using bottoms +  - to set the required speed according to the welding temperature. LCD display will show the setting speed and the current speed.

3. Air volume:

Use the knob  to set the air volume, increase the air volume clockwise, and decrease the air volume counterclockwise. When the ambient temperature is too low and the current temperature does not reach the setting temperature, the air volume can be appropriately reduced.

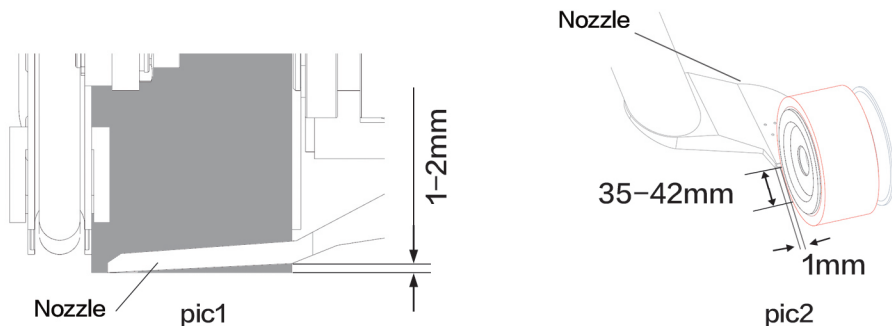
● The machine has a memory function parameters, namely when you use the welder next time, the welder will automatically use the last setting parameters without having to re-set parameters.

Positioning Before Welding

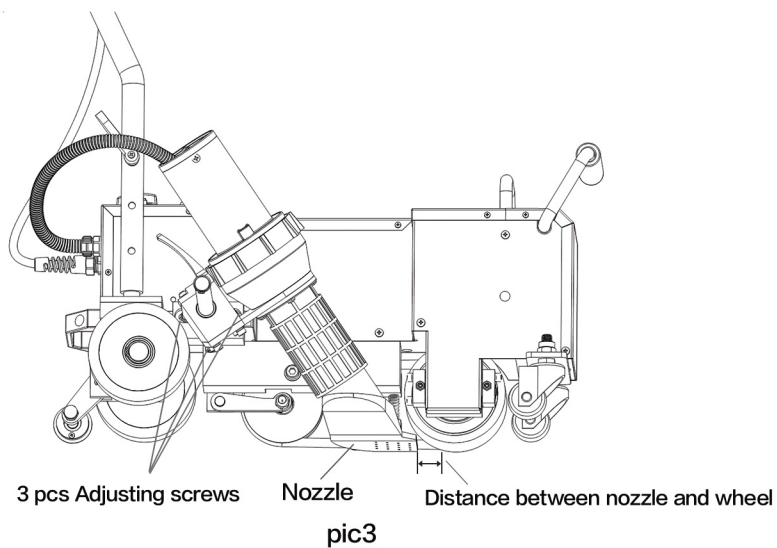


Press the Lifting Handle (2) to raise the welding machine and move it to the welding position (the edge of the upper film is aligned with the side edge of the Driving Pressure Wheel (5), and the edge of the upper film is also aligned with the edge of the Guide Wheel (13)), loosen the Locking Screw (12) to adjust the position of the Front Wheel (10) from left to right, and tighten the Locking Screws (12) after adjusting, as shown in Figure.

Welding Nozzle Setting



◆ Nozzle default position setting




◆ Adjust the nozzle position by 3 pcs screws

Nameplate

The model identification and serial number identification are marked on the nameplate of the machine you choose.


Please provide these data when consulting Lesite Sales and Service Center.




ROOFING HOT AIR WELDER

Model : LST-WP4	Voltage : 230V
Power : 4200W	Temperature : 50-620°C
Speed : 1.0-10m/min	Welding Seam : 40mm
Net Weight : 28 KG	SN : See Machine Frame

Fuzhou Lesite Plastics Welding Technology Co., LTD
www.lesiteweld.com
info@lesite.com.cn






ROOFING HOT AIR WELDER BL MOTOR

Model : LST-WP4	Voltage : 230V
Power : 4200W	Temperature : 50-620°C
Speed : 1.0-10m/min	Welding Seam : 40mm
Net Weight : 28 KG	SN : See Machine Frame

Fuzhou Lesite Plastics Welding Technology Co., LTD
www.lesiteweld.com
info@lesite.com.cn



Error Code

Error Code	Description	Measures
Error T002	No thermocouple detected	a.Check thermocouple connection b.Replace thermocouple
Error S002	No heating element detected	a.Check heating element connection b.Replace heating element
CT:999 Err-T001	Thermocouple failure in operation	a.Check thermocouple connection b.Replace thermocouple
Error FANerr	Overheating	a.Check hot air blower b.Clean nozzle and filter

Boot Steps



① Turn on the machine, and the LCD display screens are shown as above. At this time, the air blower does not heat and is in the state of blowing natural wind.



② Press the buttons Temperature Rise (20) and Temperature Drop (21) at the same time. At this time, the air blower starts to heat up to the setting temperature. When the current temperature reach the setting temperature, press button Speed Rise (22) to set speed. The LCD screens are shown as above.



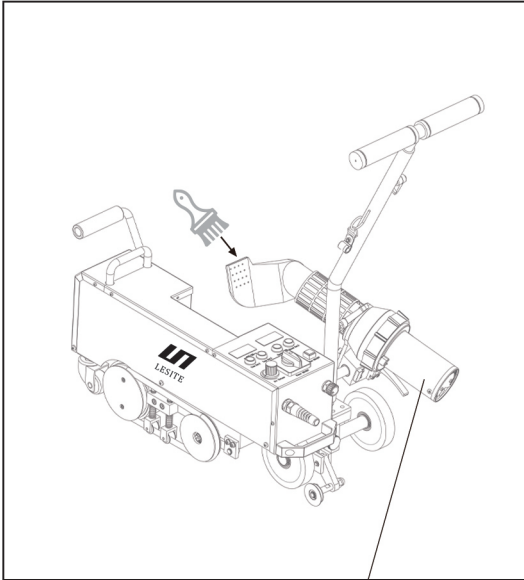
③ Pull up the Blower Location Handle (9), raise the Hot Air Blower (7), lower the Welding Nozzle (6) to make it close to the lower membrane, move the air blower to the left to insert the welding nozzle into the membranes and make the welding nozzle in place, At this time, the welding machine automatically walks for welding. The LCD screens are shown above.

④ Pay attention to the position of the Guide Wheel (13) at all times. If the position deviates, you can touch the Operating Handle (16) to adjust.

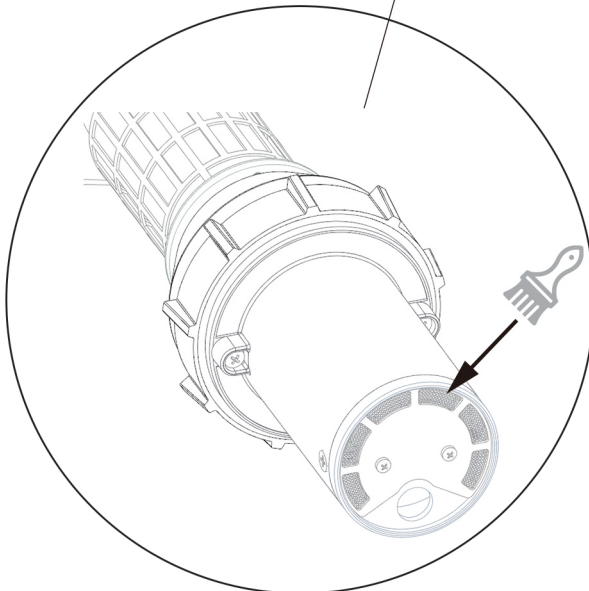
Shutdown Steps

After completing the welding work, remove the welding nozzle and return to the initial position, and press the buttons Temperature Rise (20) and Temperature Drop (21) on the control panel at the same time to turn off the heating. At this time, the hot air blower stops heating and is in cold air standby mode while allowing the welding nozzle to cool down after waiting for the temperature to drop to 60° C, and then turn off the power switch.

Daily Maintenance



Use steel brush to clean the welding nozzle.



Clean the air inlet at the back of the hot air blower.

Default Accessories

- Spare 4000w heating element
- Steel brush
- Phillips screwdriver
- Fuse 4A
- Anti-hot plate
- Slotted screwdriver
- Allen wrench (M3, M4, M5, M6)

Quality Assurance

- This product guarantees a 12-month shelf life from the day it is sold to consumers. We will be responsible for failures caused by material or manufacturing defects. We will repair or replace defective parts at our sole discretion to meet the warranty requirements.
- The quality assurance does not include damage to wearing parts (heating elements, carbon brushes, bearings, etc.), damage or defects caused by improper handling or maintenance, and damage caused by falling products. Irregular use and unauthorized modification should not be covered by the warranty.

Repairs and Spare Parts

- It is strongly recommended to send the product to Lesite company or authorized repair center for professional inspection and repair.
- Only original Lesite spare parts are allowed.





FUZHOU LESITE PLASTICS WELDING TECHNOLOGY CO.,LTD



Tel: +86(591)83818890



E-mail: info@lesite.com.cn
Web: www.lesiteweld.com



Add: 5# Jingpu Road, Pushang Industry Park,
Cangshan, Fuzhou, 350007, Fujian,China